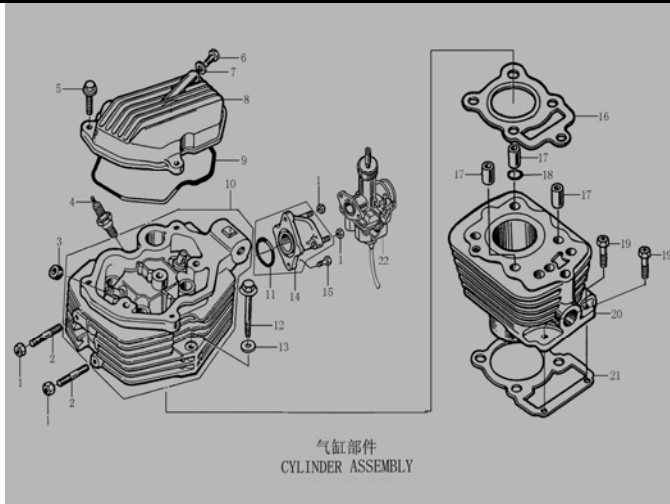


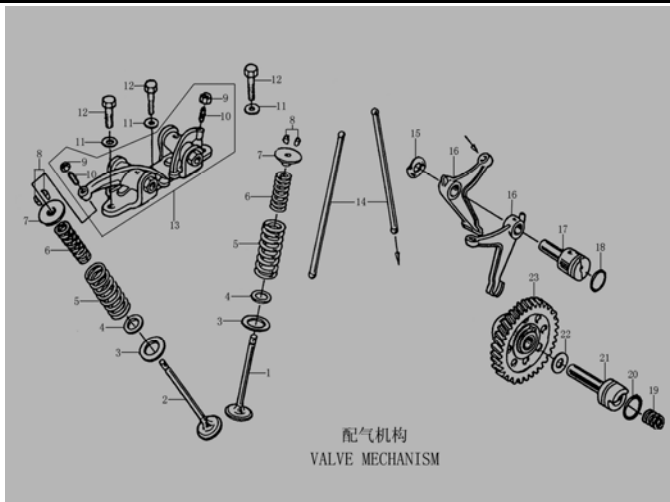
## 125PY-II Motordeler på lager

## CYLINDER ASSEMBLY Page: 1 of 15



| Ref No. | Part No.        | Chinese Description | English Description                  | Q'ty | Pris NOK |
|---------|-----------------|---------------------|--------------------------------------|------|----------|
| 3       | 1572B-I008-0000 | 挡油罩组合               | VALVE STEM SEAL ASSY                 | 2    | 20       |
| 9       | 90103-I008-0000 | 气缸头上盖密封圈            | SEAL RING, CYLINDER HEAD UPPER COVER | 20   | 45       |
| 10      | 1122B-J034-0000 | 气缸头组合               | CYLINDER HEAD ASSY                   | 2    | 1530     |
| 12      | 91104-I008-0000 | 缸头缸体连接螺栓 M8x78      | BOLT M8x78                           | 20   | 22       |
| 16      | 9022B-J034-0000 | 气缸头密封垫组合            | GASKET ASSY,CYLINDER HEAD            | 30   | 46       |
| 20      | 1110B-J034-0000 | 气缸体部件               | CYLINDER BLOCK COMP                  | 2    | 700      |
| 21      | 90205-J034-0000 | 气缸体密封垫              | GASKET, CYLINDER BLOCK               | 30   | 23       |

## VALVE MECHANISM Page: 3 of 15



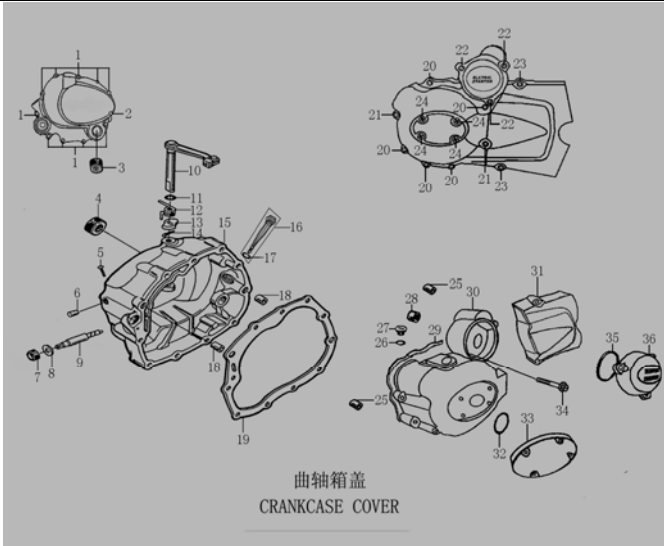
| Ref No. | Part No.          | Chinese Description | English Description    | Q'ty | Pris NOK |
|---------|-------------------|---------------------|------------------------|------|----------|
| 1       | 15701-J034-0000   | 进气门                 | INLET VALVE            | 2    | 93       |
| 2       | 15702-J034-0000   | 排气门                 | OUTLET VALVE           | 2    | 125      |
| 5       | 15703-I008-0000   | 气门外弹簧               | OUTER SPRING           | 2    | 22       |
| 6       | 15704-I008-0000   | 气门内弹簧               | INNER SPRING           | 2    | 14       |
| 11      | 93301-80852218000 | 铜垫圈 8.5x2.2x18      | WASHER 8.5x2.2x18      | 30   | 24       |
| 14      | 1532A-I008-0000   | 推杆组合                | PUSH LEVER COMP        | 2    | 27       |
| 16      | 15407-I008-0000   | 下摇臂                 | LOWER ROCKER ARM       | 2    | 54       |
| 17      | 15408-I008-0000   | 下摇臂轴                | SHAFT,LOWER ROCKER ARM | 2    | 45       |
| 18      | 90101-20180000250 | O形密封圈 18x2.5        | O-RING 18x2.5          | 30   | 27       |

Vi trenger referansenummer og hele delenummer på din bestilling

Pris inkl mva

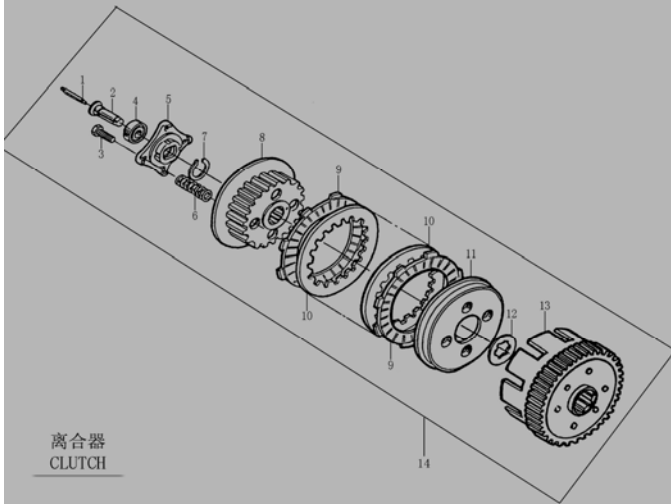
|    |                   |              |                            |    |     |
|----|-------------------|--------------|----------------------------|----|-----|
| 20 | 90101-20200000250 | O形密封圈 20x2.5 | O-RING 20x2.5              | 30 | 27  |
| 21 | 15105-J034-0000   | 配气凸轮芯轴       | CAM SHAFT                  | 2  | 38  |
| 23 | 1510A-I008-0000   | 正时从动齿部件      | TIMINGDRIVEN SPROCKET COMP | 2  | 222 |

**CRANKCASE COVER** Page: 4 of 15



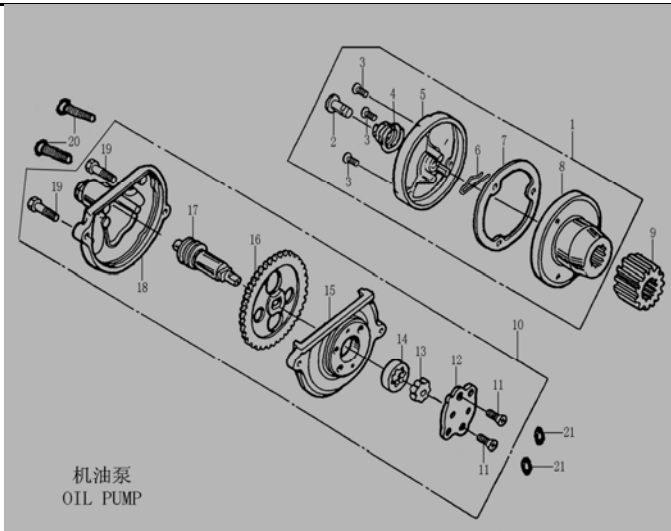
| Ref No. | Part No.          | Chinese Description | English Description       | Q'ty |    |
|---------|-------------------|---------------------|---------------------------|------|----|
| 1       | B166740A0600407   | 小盘螺栓 M6x40          | BOLT M6x40                | 20   | 24 |
| 2       | B166740A0600507   | 小盘螺栓 M6x50          | BOLT M6x50                | 20   | 25 |
| 4       | 90304-I006-0000   | 启动轴油封 16x28x7       | OIL SEAL 16x28x7          | 30   | 26 |
| 7       | 90307-I006-0000   | 转速输出轴油封 6.5x14.5x7  | OIL SEAL 6.5x14.5x7       | 30   | 12 |
| 11      | 90101-10068000190 | O形密封圈 6.8x1.9       | O-RING 6.8x1.9            | 30   | 24 |
| 16      | 14301-I006-0000   | 机油尺组合               | OIL RULER ASSY            | 2    | 12 |
| 17      | 90101-10180000300 | O形密封圈 18x3          | O-RING 18x3               | 30   | 22 |
| 19      | 90206-I008-0000   | 右曲轴箱盖密封垫            | GASKET,R.CRANKCASE COVER  | 30   | 24 |
| 20      | B166740A0600407   | 小盘螺栓 M6x40          | BOLT M6x40                | 20   | 24 |
| 21      | B166740A0600507   | 小盘螺栓 M6x50          | BOLT M6x50                | 20   | 25 |
| 22      | B166740A0600207   | 小盘螺栓 M6x20          | BOLT M6x20                | 20   | 23 |
| 23      | B166740A0600287   | 小盘螺栓 M6x28          | BOLT M6x28                | 20   | 23 |
| 24      | B00818000600122   | 螺钉 M6x12            | SCREW M6x12               | 20   | 23 |
| 26      | 90101-10132000265 | O形密封圈 13.2x2.65     | O-RING 13.2x2.65          | 30   | 22 |
| 28      | 92102-I008-0001   | CG125D含油轴承(铁基)      | NEEDLE BEARING (HK101410) | 6    | 28 |
| 29      | 90204-I008-0000   | 左曲轴箱前盖密封垫           | GASKET, L.CRANKCASE COVER | 30   | 27 |
| 32      | 90101-10274000265 | O形密封圈 27.4x2.65     | O-RING 27.4x2.65          | 30   | 22 |
| 35      | 90101-10620000300 | O形密封圈 62x3          | O-RING 62x3               | 30   | 26 |

**CLUTCH** Page: 7 of 15



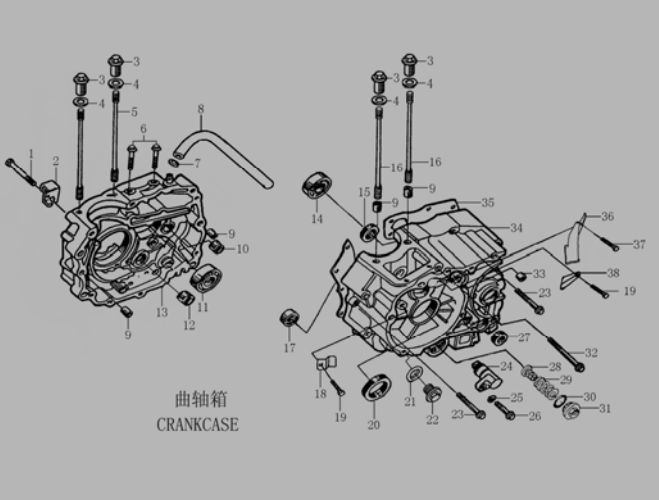
| Ref No. | Part No.         | Chinese Description | English Description    | Q'ty |     |
|---------|------------------|---------------------|------------------------|------|-----|
| 4       | 92102-0000006001 | 轴承 (6001)           | BEARING (6001)         | 5    | 49  |
| 5       | 22121-I008-0000  | 离合器端盖               | END COVER,CLUTCH       | 2    | 13  |
| 8       | 22105-I008-0000  | 离合器中心套              | CENTRAL SLEEVE.,CLUTCH | 2    | 85  |
| 9       | 22214-I008-0000  | 离合器主动摩擦片            | DRIVE FRICTION PLATE   | 30   | 21  |
| 10      | 22215-I008-0000  | 离合器从动摩擦片            | DRIVEN FRICTION PLATE  | 30   | 13  |
| 11      | 22122-I008-0000  | 离合器压盘               | CLUTCH PRESSURE PLATE  | 20   | 54  |
| 13      | 22150-I008-0000  | 离合器外罩组合             | CLUTCH OUTER CASE ASSY | 2    | 310 |
| 14      | 22000-I008-0000  | 离合器分总成(四柱五片式)       | CLUTCH COMP            | 5    | 820 |

**OIL PUMP Page: 9 of 15**



| Ref No. | Part No.        | Chinese Description | English Description | Q'ty |     |
|---------|-----------------|---------------------|---------------------|------|-----|
| 5       | 14207-I006-0000 | 机油滤清器盖              | COVER,OIL FILTER    | 2    | 19  |
| 10      | 14100-I008-0101 | 机油泵部件               | OIL PUMP ASSY       | 2    | 160 |

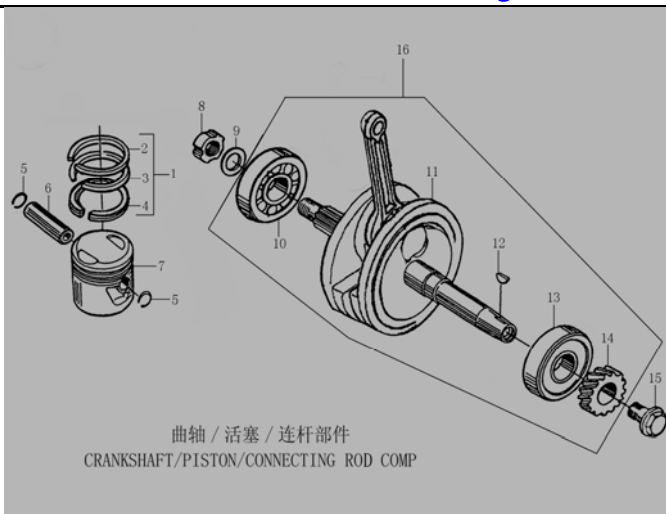
**CRANKCASE Page: 10 of 15**



曲轴箱  
CRANKCASE

| Ref No. | Part No.          | Chinese Description | English Description       | Q'ty |     |
|---------|-------------------|---------------------|---------------------------|------|-----|
| 4       | 93301-C125202200B | 平垫圈 12.5x2x22       | WASHER 12.5x2x22          | 30   | 22  |
| 5       | 91102-I008-0000   | 气缸双头螺栓 B            | STUD B                    | 20   | 15  |
| 8       | 12105-I008-0000   | 通气管                 | PIPE                      | 2    | 15  |
| 10      | 92102-000NK152312 | 滚针轴承 (NK152312)     | NEEDLE BEARING (NK152312) | 10   | 28  |
| 11      | 92102-0000006006  | 轴承 (6006)           | BEARING (6006)            | 10   | 101 |
| 12      | 92102-00000HK2110 | 滚针轴承 (HK2110)       | NEEDLE BEARING (HK2110)   | 10   | 31  |
| 14      | 92102-0000006204  | 轴承 (6204)           | BEARING (6204)            | 10   | 62  |
| 15      | 90303-I006-0000   | 副轴油封 20x34x7        | OIL-SEAL 20x34x7          | 30   | 26  |
| 16      | 91101-I008-0000   | 气缸双头螺栓 A            | STUD A                    | 20   | 15  |
| 17      | 92102-0000006202Z | 轴承 (6202Z)          | BEARING (6202Z)           | 10   | 49  |
| 20      | 90302-I008-0000   | 曲轴油封 34x50x7        | OIL SEAL 34x50x7          | 30   | 42  |
| 27      | 90301-I006-0000   | 换挡臂油封 14x28x7       | OIL SEAL 14x28x7          | 30   | 26  |
| 28      | 1431B-I006-0000   | 机油过滤网组合             | STRAINER ASSY, OIL FILTER | 3    | 20  |
| 30      | 90101-20350000300 | O形密封圈 35x3          | O-RING 35x3               | 30   | 29  |
| 31      | 11230-I006-0000   | 气门室盖                | COVER, OIL STRAINER       | 3    | 34  |
| 35      | 90208-I008-0000   | 曲轴箱密封垫              | GASKET,CRANKCASE          | 30   | 24  |

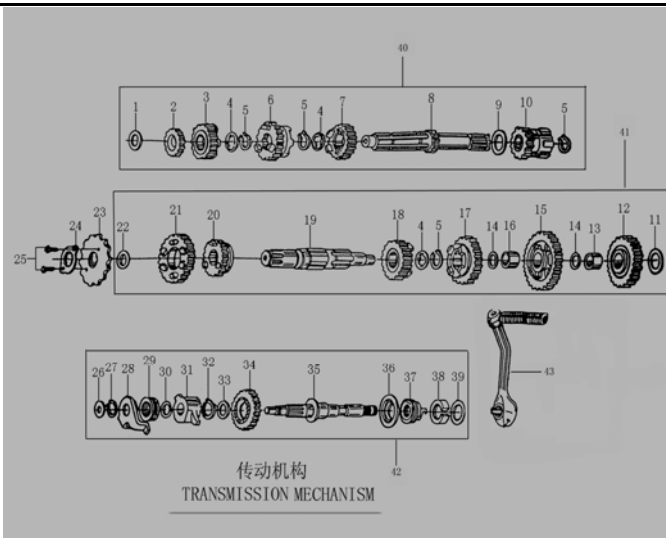
CRANKSHAFT/PISTON/CONNECTING ROD COMP Page: 11 of 15



曲轴 / 活塞 / 连杆部件  
CRANKSHAFT/PISTON/CONNECTING ROD COMP

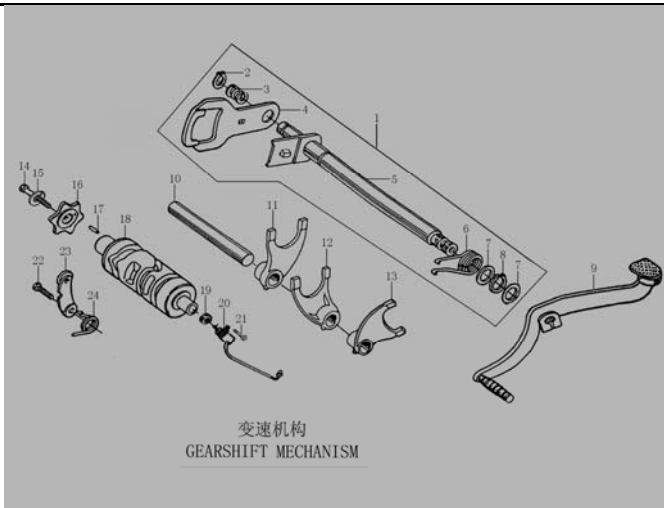
| RefNo. | Part No.        | Chinese Description | English Description            | Q'ty |      |
|--------|-----------------|---------------------|--------------------------------|------|------|
| 1      | 1310A-J034-0000 | 活塞环总成               | PISTON RING COMP               | 10   | 156  |
| 5      | 91401-I006-0000 | 活塞销挡圈               | CLIP, PISTON PIN               | 10   | 22   |
| 6      | 13102-J034-0000 | 活塞销                 | PISTON PIN                     | 10   | 24   |
| 7      | 13101-J034-0000 | 活塞                  | PISTON                         | 10   | 132  |
| 12     | 91603-I006-0000 | 磁电机半圆键 25x14x4      | SEMICIRCLE KEY 25x14x4         | 10   | 23   |
| 16     | 1320B-J034-0000 | 曲轴连杆部件              | CRANKSHAFT CONNECTING-ROD ASSY | 2    | 1260 |

## TRANSMISSION MECHANISM Page: 12 of 15



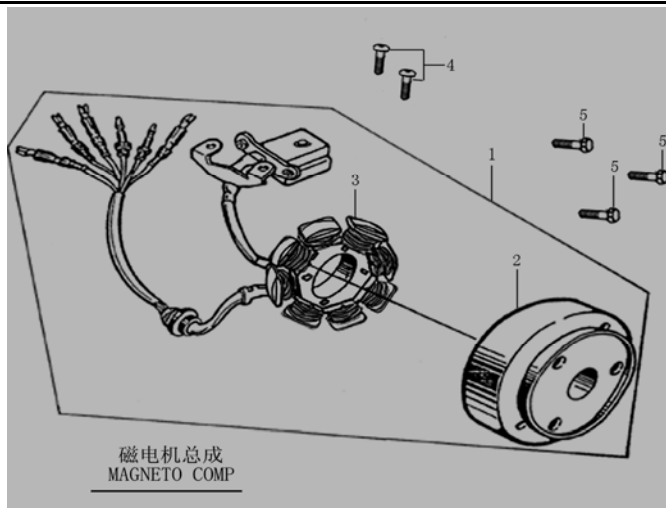
| Ref No. | Part No.          | Chinese Description | English Description          | Q'ty |    |
|---------|-------------------|---------------------|------------------------------|------|----|
| 2       | 23222-I008-0002   | 主轴2档齿轮              | GEAR M-2                     | 3    | 78 |
| 3       | 23222-I008-0005   | 主轴5档齿轮              | GEAR M-5                     | 3    | 78 |
| 4       | 23223-I006-0000   | 齿轮隔圈                | SPACER WASHER                | 30   | 28 |
| 5       | B0089402200000000 | 挡圈 20               | CIRCLIP                      | 30   | 22 |
| 6       | 23222-I008-0004   | 主轴4档齿轮              | GEAR M-4                     | 3    | 78 |
| 7       | 23222-I008-0003   | 主轴3档齿轮              | GEAR M-3                     | 3    | 78 |
| 8       | 23221-I008-0000   | 主轴芯轴                | MAIN SHAFT                   | 3    | 78 |
| 9       | 93301-E2000527000 | 止推垫圈 20x0.5x27      | THRUST WASHER 20x0.5x27      | 30   | 23 |
| 10      | 23231-I008-0000   | 启动齿轮组合              | STARTING GEAR ASSY           | 3    | 78 |
| 11      | 93301-E1501030000 | 止推垫圈 15x1x30        | THRUST WASHER 15x1x30        | 30   | 23 |
| 12      | 23248-I008-0000   | 副轴启动过桥齿轮            | COUNTERSHAFT STARTING GEAR   | 3    | 78 |
| 13      | 23203-I008-0003   | 副轴启动齿轮衬套            | BUSH                         | 30   | 28 |
| 14      | 93301-E1650524000 | 止推垫圈 16.5x0.5x24    | THRUST WASHER 16.5x0.5x24    | 30   | 22 |
| 15      | 23242-I008-0001   | 副轴1档齿轮              | GEAR C-1                     | 3    | 78 |
| 16      | 23203-I008-0001   | 副轴1档齿轮衬套            | BUSH                         | 30   | 28 |
| 17      | 23242-I008-0003   | 副轴3档齿轮              | GEAR C-3                     | 3    | 78 |
| 18      | 23242-I008-0004   | 副轴4档齿轮              | GEAR C-4                     | 3    | 78 |
| 19      | 23241-I008-0000   | 副轴芯轴                | COUNTERSHAFT                 | 3    | 78 |
| 20      | 23242-I008-0005   | 副轴5档齿轮              | GEAR C-5                     | 3    | 78 |
| 21      | 23242-I008-0002   | 副轴2档齿轮              | GEAR C-2                     | 3    | 78 |
| 22      | 93301-E2001027000 | 止推垫圈 20x1x27        | THRUST WASHER 20x1x27        | 30   | 23 |
| 23      | 23401-I008-0000   | 主动链轮                | DRIVE SPROCKET               | 3    | 48 |
| 24      | 23402-I006-0000   | 主动链轮固定板             | FIXING PLATE ,DRIVE SPROCKET | 3    | 23 |
| 25      | B0578300060010700 | 螺栓 M6x10            | BOLT M6x10                   | 20   | 22 |
| 26      | 93301-51221018000 | 启动轴垫圈 12.2x1.0x18   | WASHER 12.2x1x18             | 30   | 22 |
| 27      | B0089401160000000 | 挡圈 16               | CIRCLIP 16                   | 30   | 22 |
| 28      | 2112B-I008-0000   | 棘轮导板组合              | RATCHET GUIDED PLATE ASSY    | 2    | 13 |
| 29      | 21119-I008-0000   | 启动棘轮弹簧              | RATCHET SPRING               | 6    | 19 |
| 30      | 93301-51621018000 | 止推垫圈 16.2x1.0x18    | THRUST WASHER 16.2x1.0x18    | 20   | 22 |
| 31      | 21118-I008-0000   | 启动棘轮                | STARTING RATCHET             | 3    | 52 |
| 32      | 91402-I008-0000   | 启动轴挡圈 20            | CIRCLIP 20                   | 20   | 22 |
| 33      | 93301-52020527000 | 止推垫圈 20.2x0.5x27    | THRUST WASHER 20.2x0.5x27    | 20   | 22 |
| 34      | 21117-I008-0000   | 启动齿轮                | STARTING GEAR                | 3    | 59 |
| 35      | 21107-I008-0000   | 启动轴芯轴               | STARTING SHAFT               | 3    | 82 |
| 36      | 21104-I008-0000   | 启动轴弹簧座              | SPRING SEAT ,STARTING SHAFT  | 3    | 26 |
| 37      | 21106-I008-0000   | 启动轴复位弹簧             | RETURN SPRING,STARTING SHAFT | 3    | 20 |
| 39      | 93301-51621024000 | 启动轴垫圈 16.2x1.0x24   | WASHER16.2x1.0x24            | 20   | 21 |

## GEARSHIFT MECHANISM Page: 13 of 15



| Ref No. | Part No.        | Chinese Description | English Description   | Q'ty |    |
|---------|-----------------|---------------------|-----------------------|------|----|
| 1       | 24300-I006-0000 | 换挡臂部件               | GEARSHIFT LEVER COMP  | 2    | 88 |
| 10      | 24107-I006-0000 | 拨叉轴                 | GEAR SHIFT FORK AXLE  | 2    | 24 |
| 11      | 24104-I006-0000 | 副轴右拨叉               | GEARSHIFT FORK,RIGHT  | 2    | 45 |
| 12      | 24106-I006-0000 | 主轴拨叉                | MAIN AXLE FORK        | 2    | 45 |
| 13      | 24105-I006-0000 | 副轴左拨叉               | GEARSHIFT FORK,LEFT   | 2    | 45 |
| 14      | B05783000600257 | 螺栓 M6x25            | BOLT M6x25            | 20   | 23 |
| 18      | 24213-I008-0500 | 变速鼓                 | GEARSHIFT DRUM        | 2    | 83 |
| 20      | 88031-I008-1600 | 档显线束组合-2A#          | GEARSHIFT SWITCH COMP | 2    | 36 |
| 23      | 2434A-I008-0000 | 定位板组合               | LOCATING PLATE        | 2    | 24 |
| 24      | 24304-I008-0000 | 定位板弹簧               | SPRING,LOCATING PLATE | 2    | 17 |

## MAGNETO COMP Page: 14 of 15

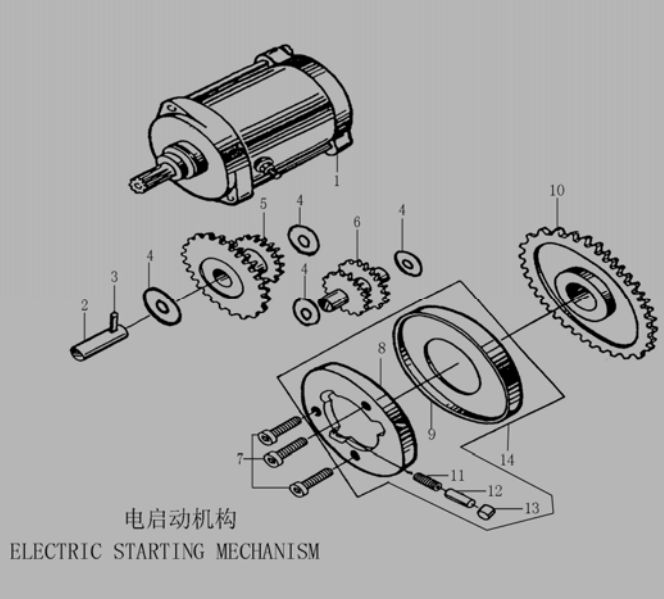


| Ref No. | Part No.        | Chinese Description | English Description  | Q'ty |     |
|---------|-----------------|---------------------|----------------------|------|-----|
| 2       | 82130-I008-0000 | 磁电机转子组合             | MAGNETO ROTOR ASSY   | 3    | 418 |
| 3       | 82120-I008-0000 | 磁电机定子组合             | MAGNETOR STATOR ASSY | 3    | 332 |
| 4       | B00823000500162 | 螺钉 M5x16            | SCREW M5x16          | 20   | 22  |
| 5       | B05783000600257 | 螺栓 M6x25            | BOLT M6x25           | 20   | 23  |

## ELECTRIC STARTING MECHANISM Page: 15 of 15

Vi trenger referansenummer og hele delenummer på din bestilling

Pris inkl mva



| Ref No. | Part No.        | Chinese Description | English Description  | Q'ty |     |
|---------|-----------------|---------------------|----------------------|------|-----|
| 1       | 82200-I008-4000 | 3#启动电机部件            | STARTING MOTOR ASSY  | 3    | 671 |
| 14      | 21300-I008-0000 | 启动离合器总成             | STARTER CLUTCH COMP. | 3    | 130 |