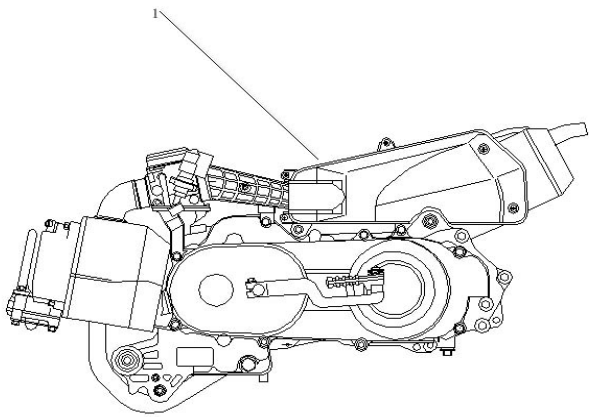
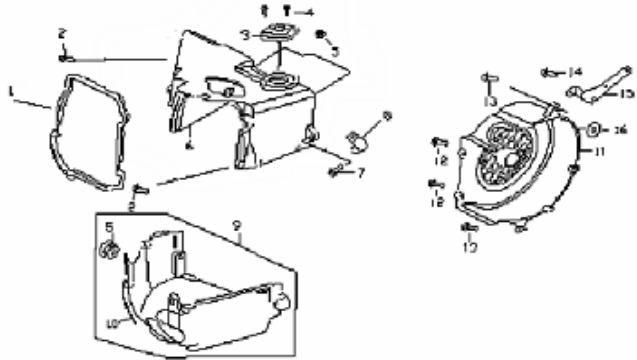
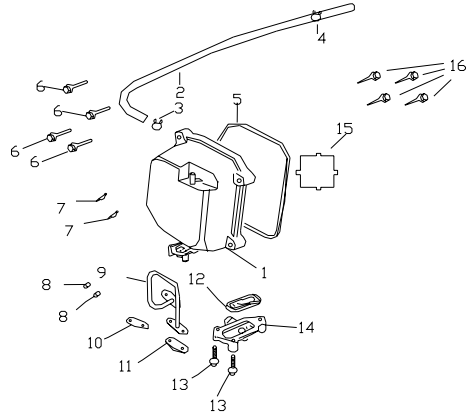
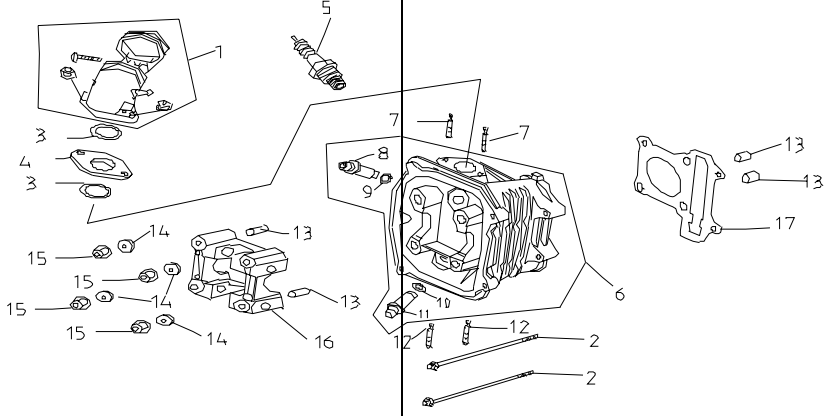
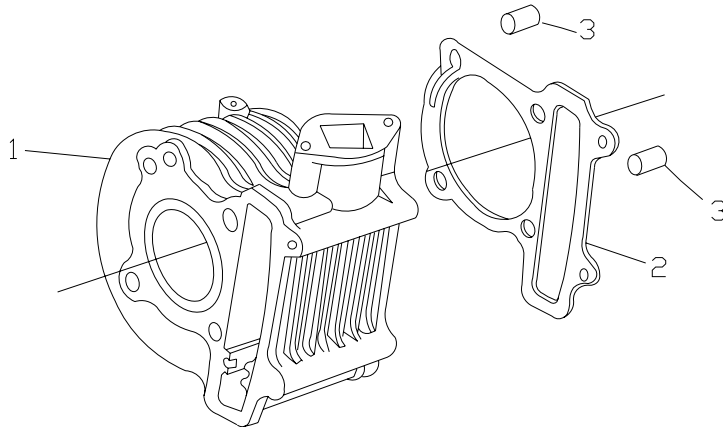
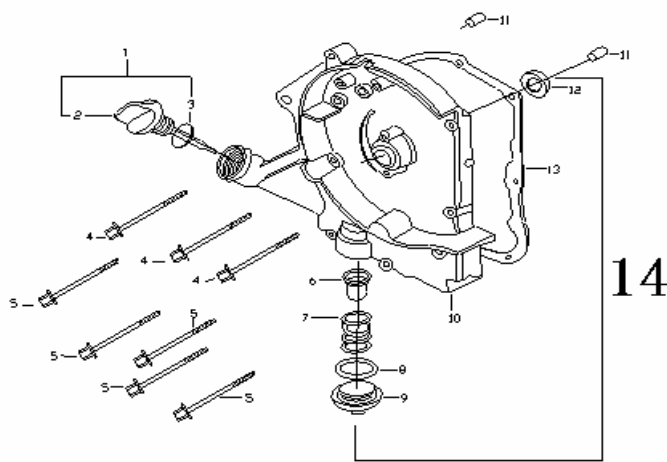


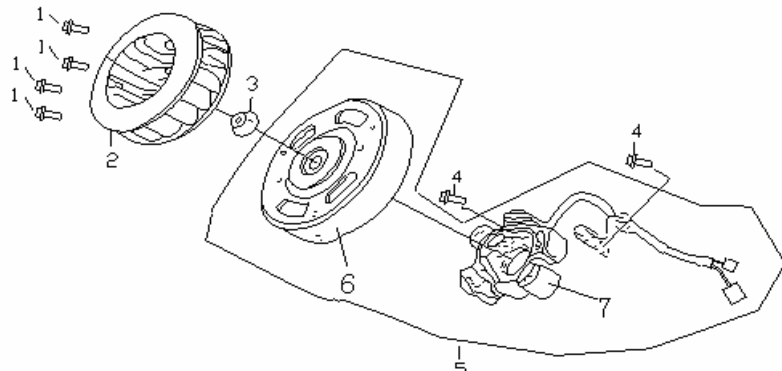
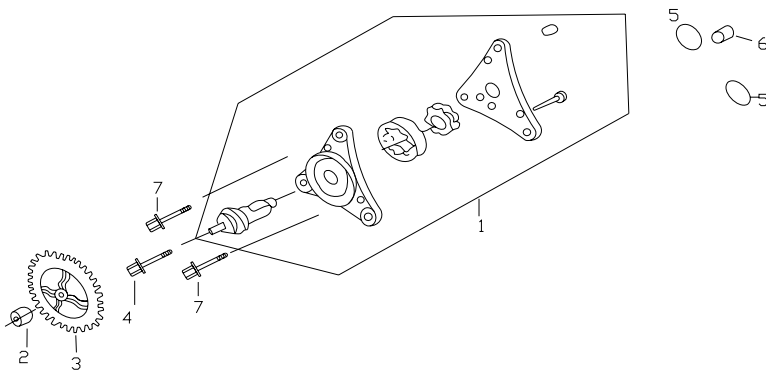
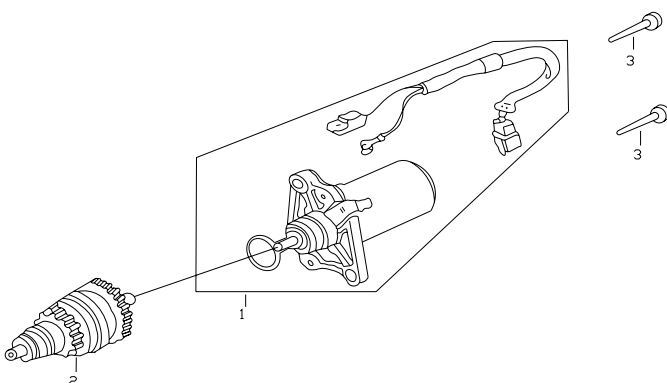
50QT-18 ENGINE PARTS LIST

P1 发动机 Engine				
REF. NO.	中文名称	DESCRIPTION	QTY	Pris kr
				
1	发动机总成	ENGINE total	1	5200
P2 风扇盖、引擎罩盖 Fan cover.shroud				
				
1	缸头盖胶圈	GASKET HEAD COVER	1	
2	螺栓M6×16	BOLT M6*16	2	24
3	盖板	COVER	1	
4	螺钉ST4×12	SCREW TAPPING ST4*12	2	
5	螺帽夹M6	CLAMP M6	2	
6	A罩	The A cover	1	40
7	螺栓M6×22	BOLT M6*22	1	22
8	溢油管夹	CLAMPER CABB DRAIN TUBE	1	23
9	B罩组合	SHROUD B COMP	1	40
10	B罩	SHROUD B	1	40
11	冷却风扇盖	Cool off the fan cover	1	30
12	ST 5×16	ST 5*16	2	
13	螺栓M6×25	BOLT M6*25	2	22
14	螺栓M6×16	BOLT M6*16	1	24
15	挡泥板支架	FENDER BRACKET	1	23
16	橡皮塞	CROMMET SIDE PANEL	1	23
P3 汽缸头盖 Cylinder Head Cover				

				
1	气缸盖	COVER COMP CYLINDER HEAD	1	93
2	通气管	TUBE BRE TEHER	1	81
3	通气管夹A	CLAMP TUBE A	1	27
4	通气管夹B	CLAMP TUBE B	1	27
5	缸头盖O环	O-RING COVER CYLINDER HEAD	5	28
6	M6×25	M6*25	2	22
7	双头螺柱	BOLT 2 STUD	2	
8	螺母M6	BOLT M6	1	22
9	通气阀管	GUIDE IN VALVE	1	
10	通气阀管纸垫 I	GASKET GUIDE IN VALVE	1	
11	通气阀管纸垫 II	GASKET GUIDE IN VALVE	1	
12	通气簧片阀	VALVE SPRING	1	
13	M6×40	M6*40	2	24
14	通气簧片阀座盖	SEAT VALVE SPRING	1	
15	缸盖压板	COVER CYLINDER PLATE PRESS	1	162
16	ST 4×8	ST 4*8	4	
P4 气缸头 Cylinder Head				
				
1	进气管总成	VALVE IN COMP	1	189
2	六角法兰面螺栓M6×85	BOLT M6*85	2	
3	O环21×2	O-RING21*2	2	28
4	化油器隔热板	CARBURETUR	1	89
5	A7TC火花塞	SPARK PLUG	1	73
6	气缸头总成	CYLINDER HEAD COMP	1	745
7	双头螺柱M6×63	BOLT M6*63	2	
8	进气门导管	AIR INLET VALVE PIPE	1	89
9	进气门座	SEAT AIR INLET VALVE	1	62
10	排气门座	SEAR AIR OUT VALVE	1	66
11	排气门导管	AIR OUT VALVE PIPE	1	65
12	双头螺柱M6×32	BOLT 2 STUD	2	
13	定位销8×7.1×14	PIN DOWEL 8*7.1*14	4	24
14	垫圈7×14×2	WASHER 7*14*2	4	24

15	法兰面螺栓M7×1	BOLT M7*1	4	
16	摇臂支架	HOLDER CAMSHAFT	1	
17	缸头垫片	WASHER CYLINDER HEAD	1	142
P5 凸轮轴、门阀 Camshafe.valve				
1	气门锁夹	COTTER VELVE	4	28
2	气门弹簧保持器	RETINER VALVE SPRING	2	28
3	气门内弹簧	SPRING VALVE INSIDE	2	49
4	气门外弹簧	SPRING VALVE OUTER	2	49
5	气门弹簧座	SEAT VALVE SPRING OUTER	2	28
6	气门油封	SEAL VALVE STEM	2	37
7	气门间隙调节螺钉	SCREW TAPPET ADJUSTING	2	28
8	气门调节螺母	NUT TAPPET ADJUSTING	2	28
9	气门摇臂	ARM VALVE ROCKER	2	81
10	进气门摇臂轴	SHAFT IN ROCKER	1	35
11	排气门摇臂轴	SHAFT EX ROCKER	1	33
12	凸轮轴总成	CAMSHAFT COMP	1	494
13	进气门	VALVE IN	1	81
14	排气门	VALVE EX	1	66
P6 内链条、拉力杆 Cam Chain.Tensioner				
1	螺栓	BOLT	1	
2	垫片	GASKET	1	22
3	齿条压紧弹簧	SPRING	1	
4	M6×16	M6*16	2	24
5	壳体	LIFTER ASSY TENSIOER	1	243
6	链条调整器纸垫	GASKET TENSIONER LIFTER	1	
7	分气链条拉力杆	TENSIONER CAM CHAIN	1	40
8	O形圈 15.2×1.5	O-RING 15.2*1.5	1	17
9	拉力杆固定螺栓	PIVOT CAM CHAIN TENSIONER	1	

10	正时链条	CHAIN	1	198
11	链条导件	GUIDE COMP CAM CHAIN	1	49
P7 汽缸 Cylinder				
				
1	气缸体组	CYLINDER COMP	1	524
2	气缸体纸垫	GASKET CYINDER	1	145
3	定位销8×7.1×14	PIN DOWEL 8*7.1*14	2	24
P8 右曲轴箱盖 Right Crankcase				
				
1	机油尺组件	GAUGE OIL LEVEL COMP	1	10
2	机油尺	GAUGE OIL LEVEL	1	10
3	O形圈18×3	O-RING18*3	1	17
4	螺栓M6×85	BOLT M6*85	4	23
5	螺栓M6×100	BOLT M6*100	4	24
6	机油滤网	SCREEN OIL FILTER	1	25
7	滤油网弹簧	SPRING OIL FILTER SCREEN	1	28
8	O形圈30.8×3.2	O-RING30.8*3.2	1	
9	滤油网螺帽盖	CAP TAPPET ADJUSTING HOLE	1	16
10	右曲轴箱盖	COVER RCRANKCASE COEP	1	267
11	定位销8×6.5×14	PIN DOWEL8*6.5*14	2	24
12	油封16.4×30×5	OIL SEAL16.4*30*5	1	65
13	右箱盖纸垫	GASKET RCRANKCASE COEP	1	
14	右曲轴箱组件		1	388
P9 磁电机 Generator				

				
1	螺栓M6×18	BOLT M6*8	4	22
2	冷却风扇	Cool off the fan	1	55
3	螺母M10×1.25	VULT M10*1.25	1	22
4	螺栓M5×12	BOLT M5*12	2	35
5	磁电机组件	Magnetolectricity machine module	1	950
6	飞轮(定子)	stator	1	526
7	转子线圈	rotor coil	1	524
P10 机油泵 Oil Pump				
				
1	机油泵总成	PUMP ASSY OIL	1	89
2	螺母M6	BOLT M6	1	22
3	机油泵驱动链轮	SPROCKE TOIL PUMP DRIVEN	1	49
4	螺栓M6×25	BOLT M6*25	1	22
5	O形圈9×1.5	O-RING 9*1.5	2	18
6	定位销8×6.5×12	PIN DOAEL8*6.5*12	1	24
7	螺栓M6×20	BOLT M6*20	2	22
P11 起动马达 Starting Motor				
				
1	起动电机	MOTOR ASSY STARTER	1	609
2	电起动单向减速齿轮(单向齿)	GEAR STARTER EDUCTION	1	267
3	螺栓M6×22	BOLT M6*22	2	22

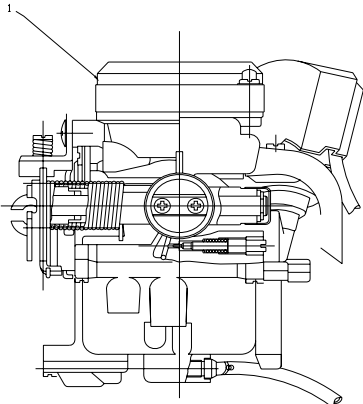
P12 左曲轴箱盖 Left Crankcase Cover				
1	左曲轴箱盖	COVER L CRANKCASE COEP	1	545
2	左箱盖纸垫	GASKET L CRANKCASE COEP	1	140
3	定位销8×6.5×14	PIN DOWEL 8*6.5*14	2	24
4	螺栓M6×35	BOLT M6*35	8	22
5	线夹I	CLAMPER	1	
6	刹车线夹	CLAMPER BRAKE	1	
P13 驱动皮带轮 Drive Pulley				
1	主动轮右半轮	MAIN DRIVEN WHEEL R	1	105
2	主动轮轴套	MAIN DRIVEN SHAFT FACE	1	36
3	主固定齿轮	GEAR DOWEL	1	223
4	风扇叶轮	FACE DRIVE	1	35
5	起动盘	STARTER PLATE	1	146
6	垫圈12×20×2	WASHER 12*20*2	1	
7	螺母M10×1.25	NUTM10*1.25	1	
8	斜坡板	PLATE RAMP	1	62
9	斜坡板边件	PIECE SLIDE	3	62
10	滚珠	ROLLER	6	
11	起动轴组合	STARTER SHAFT COMP	1	98
12	起动回位扭簧	SPRING KICK BACK	1	28
13	衬套	BUSH	1	28
14	起动轴衬套	BUSH STARTER SHAFT	1	28
15	垫圈	GASKET	1	24
16	挡圈	CIRCLIP	1	29
17	脚起动杆组合	ARM ASSY KICK STARTER	1	97
18	起动从动齿轮组合(起动惰齿轮)	GEAR KICK DRIVEN	1	98
19	垫圈	WASHER	1	24
20	摩擦弹簧	SPRING GEAR FRICTION	1	24
21	主动轮		1	309

P14 传动皮带轮 Driven Pulley				
				
1	从动轮总成	PULLEY ASSY DRIVEN	1	890
2	离合器外套	OUTER CLUTCH	1	219
3	离合器蹄块组总成	PLATE ASSY DRIVEN	1	65
4	螺母M10×1.25	NUT10*1.25	1	23
5	皮带	BELT DIVE	1	440
6	蹄块组件	FACE ASSY DRIVEN	1	65
7	缓冲橡胶	RUBBER CLUTCH	3	24
8	垫圈	WASHER	3	24
9	开口挡圈	CIR CLIP	3	35
10	离合器拉簧	SPRING CLUTCH	3	35
11	驱动板柳接组合	PLATE COMP DRIVE	1	81
12	六角螺母	NUT	1	22
13	滚针轴承	BEARING MEEDLE	1	89
14	孔用弹性挡圈	CIRCLIP	1	28
15	深沟球轴承	BEARING BALL REDLAL	1	89
16	从动轮皮带盘	FACE COMP DRIVEN	1	178
17	导向销	PIN GUIDE	2	35
18	油封	SEAL DRIVEN	2	57
19	从动滑动皮带轮组合	FACE ASSY DRIVEN	1	
20	O形密 A	O-RING SEAL A	1	28
21	O形密 B	O-RING SEAL B	1	28
22	油封套筒	COLLAR OIL SEAL	1	32
23	驱动弹簧	SPRING DRIVEN PACE	1	49
24	弹簧套筒	COLLAR SPRING	1	32
P15 传动系 Transmission				
				
1	变速箱箱体	MISSION ASSY	1	
2	制动销轴	BRAKE SHAFT PIN	1	
3	O形圈7.5×1.5	O-RING 7.5*1.5	1	17
4	M8自锁螺母	NUT M8	1	22

5	6004轴承	BEARING 6004	1	65
6	6201轴承	BEARING 6001	2	43
7	变速箱箱体纸垫	GASKET MISSION CASE	1	55
8	27×42×7油封	OIL SEAL27*42*7	1	16
9	塑料垫片 12	CLIP EXTERNAL	1	
10	最终轴	SHAFT FINAL	1	193
11	最终齿轮	GEAR FINAL	1	223
12	驱动轴	SHAFT DRIVEN	1	243
13	副轴组	SHAFT COMP COUNTER	1	324
14	定位销10×8.5×20	PIN DOWEL10*8.5*20	2	24
P16 曲轴箱 Cranekase				
1	右箱体组合	R CRANK CASE COEP	1	405
2	螺栓M6×50	BOLT M6*50	1	22
3	定位销8×7.1×14	PIN DOWEL8*7.1*14	2	24
4	曲轴箱体纸垫	GASKET CRANK CASE COEP	1	
5	双头螺柱M7×168	BOLT 2 STUD M7*168	2	
6	双头螺柱M7×175	BOLT 2 STUD M7*175	2	
7	左曲轴箱体	L CRANK CASE COEP	1	936
8	放油螺栓M12×16	BOLT DRAIN PLUG	1	
9	垫片	GASKET	1	23
10	油封19.8×30×5	OIL SEAL 19.8*30*5	1	36
11	大减震套	CROMMET BIG	1	16
12	小减震套	CROMMET SMALL	1	28
13	6201/P6	6201/P6	1	44
14	6303/P6	6303/P6	1	81
15	6203/P6	6203/P6	1	49
16	油封17×30×6	OIL SEAL 17*30*6	1	16
17	六角法兰面螺栓M8×35	BOLT M8*35	4	
18	六角法兰面螺栓M8×40	BOLT M8*40	2	
P17 曲轴, 活塞 Crankshaft, Piston				

husk at vi må ha både referansenummer og delenummer når du bestiller

Pris inkl mva

1	活塞环组	RING SET PISTON	1	240
2	活塞	PISTON	1	263
3	活塞销卡环	CLIP PISTON PIN	2	28
4	活塞销	PIN PISTON	1	22
5	曲轴连杆组件	CRANKSHAFT COMP	1	1206
6	半圆键3×2.5×25	KEY WOODRUFF3*2.5*25	1	22
P18	化油器 Carburetor			
				
1	化油器总成	CARBURETOR COMP	1	890